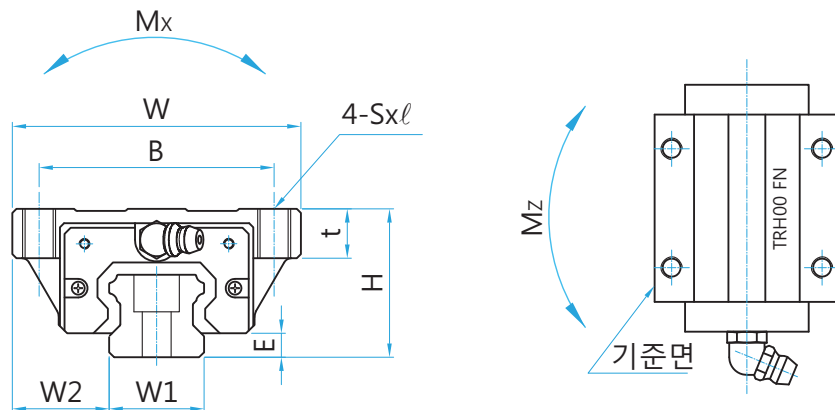


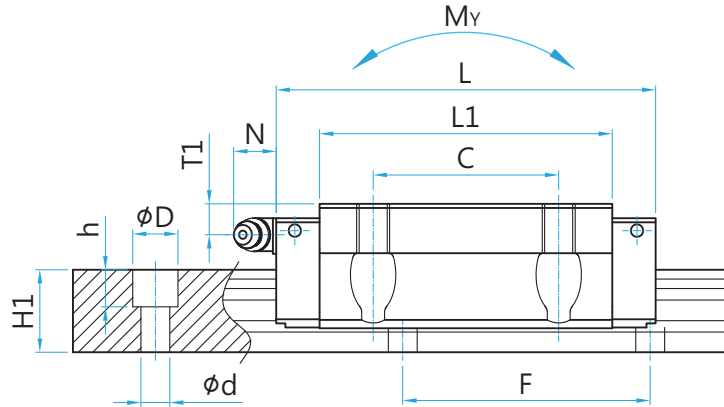
TRH-F



(unit : mm)

형번	H	W	L	B	C	Sxl	L1	t	오일홀	T1	N	E	W2
TRH15FN	24	47	56.9	38	30	M5x8	39.5	8	M4x0.7	5.5	7	3.2	16
TRH20FN	30	63	75.6	53	40	M6x10	54	10	M6x1	6.5	14	4.6	21.5
TRH20FE			99.6				78						
TRH25FN	36	70	81	57	45	M8x12	59	12	M6x1	7.5	14	5.8	23.5
TRH25FE			110				88						
TRH30FN	42	90	96.3	72	52	M10x15	69.3	15	M6x1	8	14	7	31
TRH30FL			107				80						
TRH30FE			132				105						
TRH35FN	48	100	109	82	62	M10x15	79	15	M6x1	8	14	7.5	33
TRH35FL			123				93						
TRH35FE			153				123						
TRH45FL	60	120	140	100	80	M12x18	106	18	PT 1/8	10.5	12.5	8.9	37.5
TRH45FE			174				140						
TRH55FL	70	140	163	116	95	M14x17	118	29	PT 1/8	11	12.5	13	43.5
TRH55FE			201				156						
TRH65FL	90	170	197	142	110	M16x23	147	37	PT 1/8	19	12.5	14	53.5
TRH65FE			256.5				206.5						





(unit : mm)

형번	W1	H1	ϕdxϕDxh	F	Ca (kgf)	Coa (kgf)	Mx (kgf/m)	My (kgf/m)	Mz (kgf/m)	블럭 (kg)	레일 (kg/m)
TRH15FN	15	13	4.5 x 7.5 x 6	60	1260	2206	16	14	14	0.18	1.3
TRH20FN	20	16.5	6 x 9.5 x 8.5	60	2050	3696	37	33	33	0.39	2.3
TRH20FE					2553	5058	51	63	63	0.58	
TRH25FN	23	20	7 x 11 x 9	60	2581	4503	52	43	43	0.60	3.2
TRH25FE					3248	6255	72	85	85	0.85	
TRH30FN	28	23	9 x 14 x 12	80	3807	6483	90	74	74	1.01	4.5
TRH30FL					4098	7203	100	93	93	1.18	
TRH30FE					4791	9004	126	147	147	1.54	
TRH35FN	34	26	9 x 14 x 12	80	5090	8346	142	106	106	1.47	6.3
TRH35FL					5502	9328	159	133	133	1.72	
TRH35FE					6667	12274	209	233	233	2.29	
TRH45FL	45	32	14 x 20 x 17	105	7572	12808	292	220	220	2.80	10.4
TRH45FE					8852	16010	365	348	348	3.79	
TRH55FL	53	44	16 x 23 x 20	120	14703	21613	571	411	411	4.22	16.1
TRH55FE					17349	27377	723	670	670	5.60	
TRH65FL	63	53	18 x 26 x 22	150	22526	31486	973	695	695	9.31	22.5
TRH65FE					27895	42731	1320	1307	1307	12.98	

Ca : 정정격 하중, Coa : 동정격하중, Mx, My, Mz: 모멘트하중